

Pump, Hose Reel & Dispense Valve Packages 3:1 Ratio

INCLUDES

- RA-35567-55 3:1 Ratio Pump
- Bung Bushing comes with pump
- RA-37810-55 Air Line Filter, Regulator & Gauge
- ½" X 60" lube connect hose
- ¼" X 60" air connect hose
- Air quick connect coupler
- Air quick connect nipple
- RA-8530.401-360 ½" x 30 FT. hose reel or
- RA-8530.401-600 ½" x 50 FT. hose reel
- Hose stop (comes with hose reel)
- Meter or Dispense Valve (see below)
- *No tank, drum or container
- *Order suction tube separately



Models with 3:1 Pump - 30 ft Hose Reel

Model No.	Capacity	Pump No. & Ratio	Hose Reel & Size	Dispense Valve No. & Type
3-R30A	*	RA-35567-55 3:1 ratio	RA-8530.401-360 ½" x 30 ft	NS-1519L Mechanical Pre-Set
3-R30B	*	RA-35567-55 3:1 ratio	RA-8530.401-360 ½" x 30 ft	RA-37738-55 Non-metered (Flexible)
3-R30C	*	RA-35567-55 3:1 ratio	RA-8530.401-360 ½" x 30 ft	RA-37776-55 Volume Non-metered (Flex. Ext.)
3-R30D	*	RA-35567-55 3:1 ratio	RA-8530.401-360 ½" x 30 ft	RA-37739-55 Standard Digital Meter
3-R30E	*	RA-35567-55 3:1 ratio	RA-8530.401-360 ½" x 30 ft	NS-1515L Standard Mechanical Meter
3-R30F	*	RA-35567-55 3:1 ratio	RA-8530.401-360 ½" x 30 ft	RA-37731-55 Non-metered (Rigid Ext.)
3-R30G	*	RA-35567-55 3:1 ratio	RA-8530.401-360 ½" x 30 ft	RA-37777-55 Volume Non-metered (Rigid Ext.)
3-R30H	*	RA-35567-55 3:1 ratio	RA-8530.401-360 ½" x 30 ft	37709-55 Digital Pre-set Meter

Models with 3:1 Pump - 50 ft Hose Reel

Model No.	Capacity	Pump No. & Ratio	Hose Reel & Size	Dispense Valve No. & Type
3-R50A	*	RA-35567-55 3:1 ratio	RA-8530.401-360 ½" x 50 ft	NS-1519L Mechanical Pre-Set
3-R50B	*	RA-35567-55 3:1 ratio	RA-8530.401-360 ½" x 50 ft	RA-37738-55 Non-metered (Flexible)
3-R50C	*	RA-35567-55 3:1 ratio	RA-8530.401-360 ½" x 50 ft	RA-37776-55 Volume Non-metered (Flex. Ext.)
3-R50D	*	RA-35567-55 3:1 ratio	RA-8530.401-360 ½" x 50 ft	RA-37739-55 Standard Digital Meter
3-R50E	*	RA-35567-55 3:1 ratio	RA-8530.401-360 ½" x 50 ft	NS-1515L Standard Mechanical Meter
3-R50F	*	RA-35567-55 3:1 ratio	RA-8530.401-360 ½" x 50 ft	RA-37731-55 Non-metered (Rigid Ext.)
3-R50G	*	RA-35567-55 3:1 ratio	RA-8530.401-360 ½" x 50 ft	RA-37777-55 Volume Non-metered (Rigid Ext.)
3-R50H	*	RA-35567-55 3:1 ratio	RA-8530.401-360 ½" x 50 ft	RA-37709-55 Digital Pre-set Meter

* Tanks, Drums or Containers not included. Pump extension tubes of the appropriate length for the tank/container that the pump will be installed in must be ordered separately.

Pump, Hose Reel & Dispense Valve Packages 5:1 Ratio

-INCLUDES

- RA-36167-55 5:1 ratio pump
- 10/23-BT suction tube
- Bung bushing comes with pump
- RA-37810-55 Air line filter, regulator & gauge
- ½" X 60" Lube connect hose
- ¼" X 60" Air connect hose
- Air quick connect coupler
- Air quick connect nipple
- RA-8530.401-360 ½" x 30 FT. hose reel or
- RA-8530.401-600 ½" x 50 FT. hose reel
- Hose stop (comes with hose reel)
- Meter or Dispense Valve (see below)
- *No tank



Models with 5:1 Pump - 30 ft Hose Reel

Model No.	Capacity	Pump No. & Ratio	Hose Reel & Size	Dispense Valve No. & Type
5-R30A	*	RA-36167-55 5:1 ratio	RA-8530.401-360 ½" x 30 ft	NS-1519L Mechanical Pre-Set
5-R30B	*	RA-36167-55 5:1 ratio	RA-8530.401-360 ½" x 30 ft	RA-37738-55 Non-metered (Flexible)
5-R30C	*	RA-36167-55 5:1 ratio	RA-8530.401-360 ½" x 30 ft	RA-37776-55 Volume Non-metered (Flex. Ext.)
5-R30D	*	RA-36167-55 5:1 ratio	RA-8530.401-360 ½" x 30 ft.	RA-37739-55 Standard Digital Meter
5-R30E	*	RA-36167-55 5:1 ratio	RA-8530.401-360 ½" x 30 ft.	NS-1515L Standard Mechanical Meter
5-R30F	*	RA-36167-55 5:1 ratio	RA-8530.401-360 ½" x 30 ft	RA-37731-55 Non-metered (Rigid Ext.)
5-R30G	*	RA-36167-55 5:1 ratio	RA-8530.401-360 ½" x 30 ft.	RA-37777-55 Volume Non-metered (Rigid Ext.)
5-R30H	*	RA-36167-55 5:1 ratio	RA-8530.401-360 ½" x 30 ft	RA-37709-55 Digital Pre-set Meter

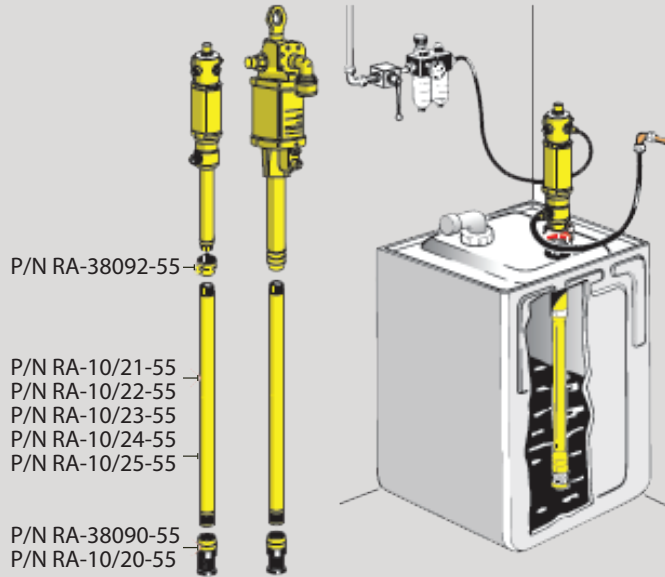
Models with 5:1 Pump - 50 ft Hose Reel

Model No.	Capacity	Pump No. & Ratio	Hose Reel & Size	Dispense Valve No. & Type
5-R50A	*	RA-36167-55 5:1 ratio	RA-8530.401-600 ½" x 50 ft	NS-1519L Mechanical Pre-Set
5-R50B	*	RA-36167-55 5:1 ratio	RA-8530.401-600 ½" x 50 ft	RA-37738-55 Non-metered (Flexible)
5-R50C	*	RA-36167-55 5:1 ratio	RA-8530.401-600 ½" x 50 ft	RA-37776-55 Volume Non-metered (Flex. Ext.)
5-R50D	*	RA-36167-55 5:1 ratio	RA-8530.401-600 ½" x 50 ft	RA-37739-55 Standard Digital Meter
5-R50E	*	RA-36167-55 5:1 ratio	RA-8530.401-600 ½" x 50 ft	NS-1515L Standard Mechanical Meter
5-R50F	*	RA-36167-55 5:1 ratio	RA-8530.401-600 ½" x 50 ft	RA-37731-55 Non-metered (Rigid Ext.)
5-R50G	*	RA-36167-55 5:1 ratio	RA-8530.401-600 ½" x 50 ft	RA-37777-55 Volume Non-metered (Rigid Ext.)
5-R50H	*	RA-36167-55 5:1 ratio	RA-8530.401-600 ½" x 50 ft	RA-37709-55 Digital Pre-set Meter

* Tanks, Drums or Containers not included. Pump extension tubes of the appropriate length for the tank/container that the pump will be installed in must be ordered separately.

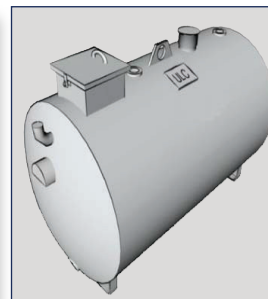
Pump Extensions for various size tanks and containers

Pump Extensions for Series 200 & 238 pumps for various size containers and tanks.



PART NO.

RA-10/21-55	Length 18"	For 60 Liter (16 Gallon) Kegs
RA-10/22-55	Length 26"	For 205 Liter (54 Gallon) Drums & Bench Tanks
RA-10/23-55	Length 38"	For Oval Tanks - all capacities
RA-10/24-55	Length 50"	For 60" high Rectangular Tanks
RA-10/25-55	Length 58"	For 66" high Rectangular Tanks



All reasonable care has been taken to ensure the information contained in this document is accurate as of the day of printing. We reserve the right to change any information. For current information, please contact Applied Lubrication Technology Inc. or an authorized representative of Applied Lubrication Technology Inc. May 2014.